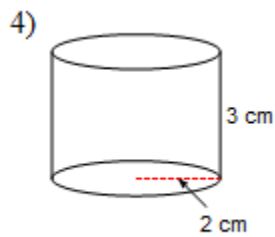
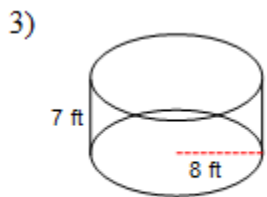
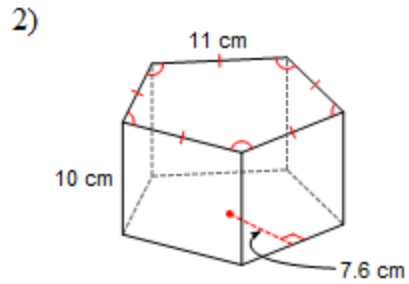
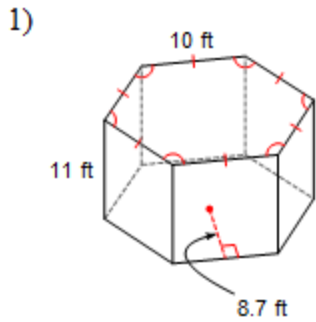


You must complete this before retaking the MC again. Remember it is all about LEARNING so take your time and learn how to do these skills. If you need help please ask!

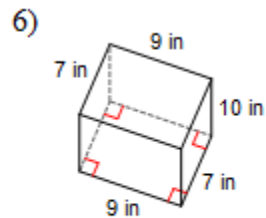
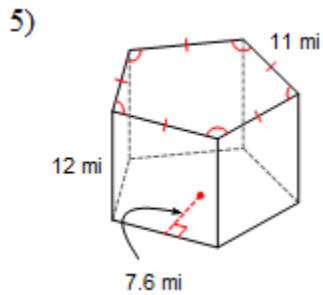
NAME: _____

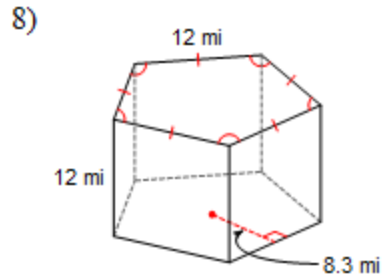
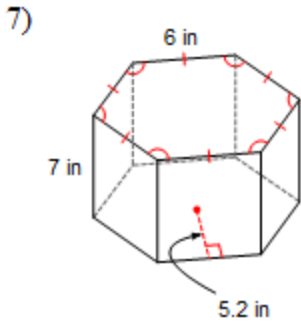
Corrective Assignment 10.1

Find the LATERAL AREA of each figure. Round to the nearest tenth if necessary.

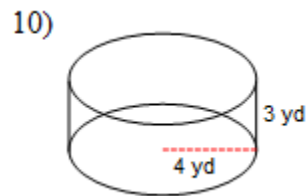
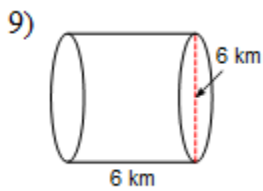


Find the SURFACE AREA of each figure. Round your answers to the nearest hundredth, if necessary.





Find SURFACE AREA of the figure. Leave in terms of π .



ANSWERS TO CORRECTIVE ASSIGNMENT:

Make sure you check all your answers and make sure you KNOW how to do all of them. You could simply copy answers but that's not the point. The point is that you have to learn how to do this so please make sure that for any you don't understand you get help BEFORE taking the Mastery Check again.

- 1) 660 ft^2 2) 550 cm^2 3) 351.9 ft^2 4) 37.7 cm^2 5) 1078 mi^2 6) 446 in^2 7) 439.2 in^2
 8) 1218 mi^2 9) $54\pi \text{ km}^2$ 10) $56\pi \text{ yd}^2$